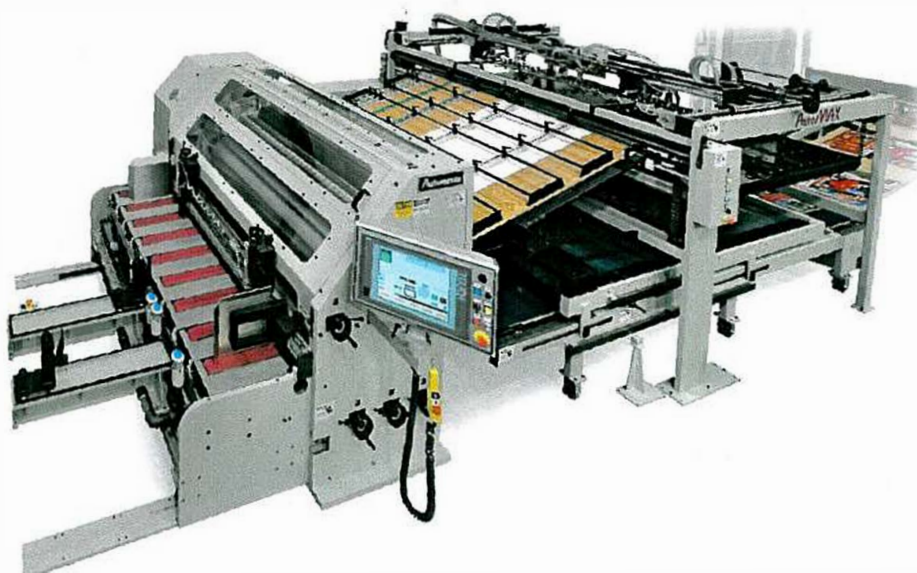


Auto MAX

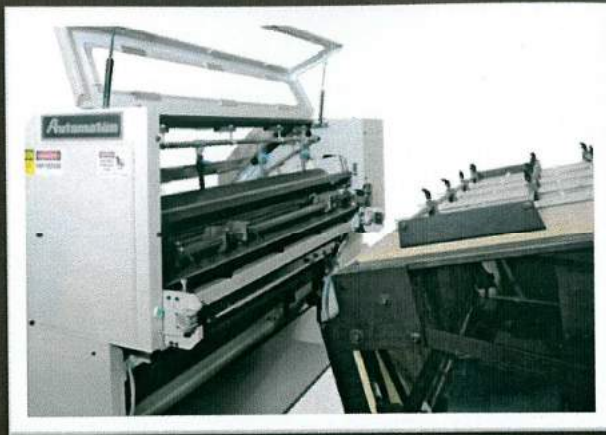
Labeling/Laminating System



**For Singleface, Doubleface and Chipboard
Labeling/Laminating Needs**

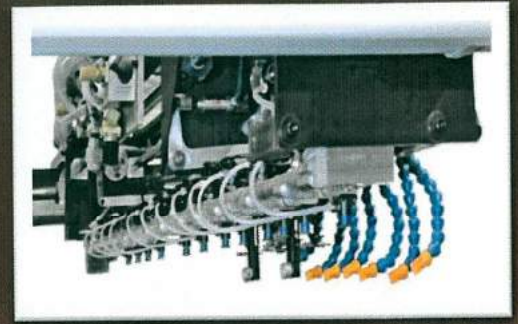


By
Automatan



1 Laminator Section

Easy access for cleaning and adjustments.

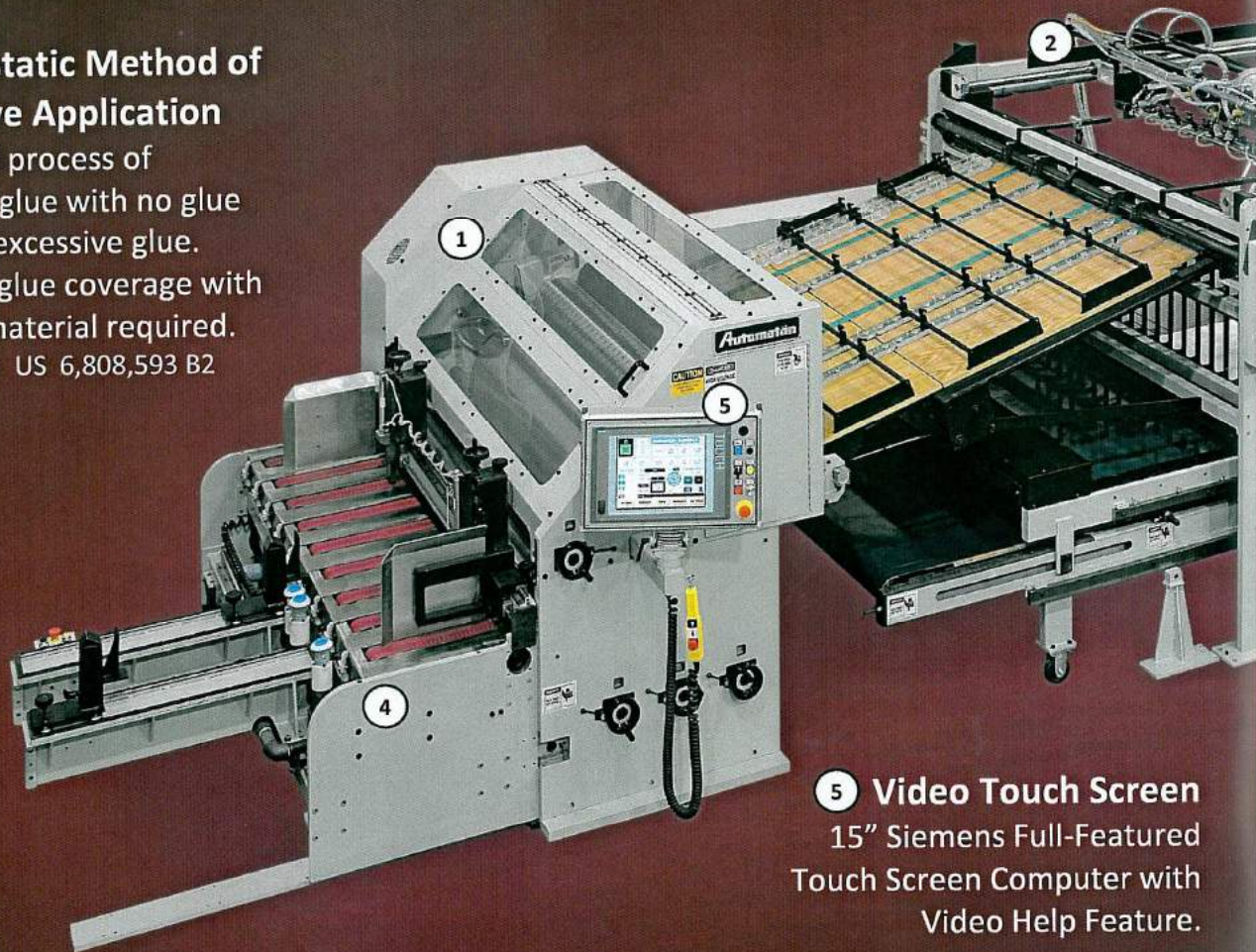


2 Trail Edge Litho Feeder

Independent suction valves provide consistent feeding of litho sheets, increased speed and fast set-ups.

Electrostatic Method of Adhesive Application

Patented process of applying glue with no glue voids or excessive glue. Uniform glue coverage with no mat material required. Patent No: US 6,808,593 B2



4 Board Feeder

Independent servo, open concept design and easy accessibility.

5 Video Touch Screen

15" Siemens Full-Featured Touch Screen Computer with Video Help Feature.



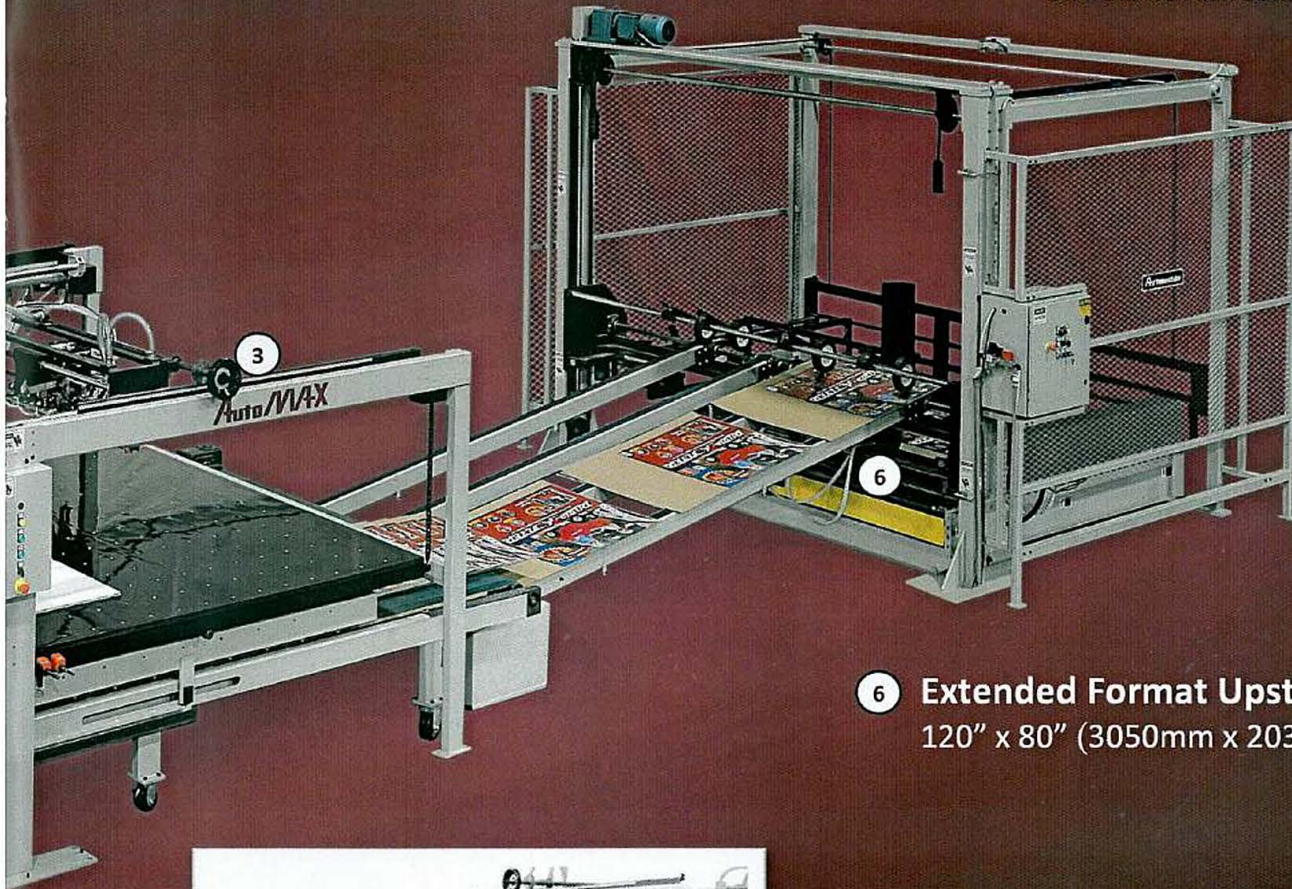
AutoMAX



3 Label Positioning

Label Feeder Scale ensures accurate and rapid placement of labels.

Please see the back for more details on how ROI can save you money.



6 Extended Format Upstacker 120" x 80" (3050mm x 2030mm)



Litho Sheet Preload System

Quick changeovers are standard on this ergonomically friendly system with adjustable height and moveable air-deck.

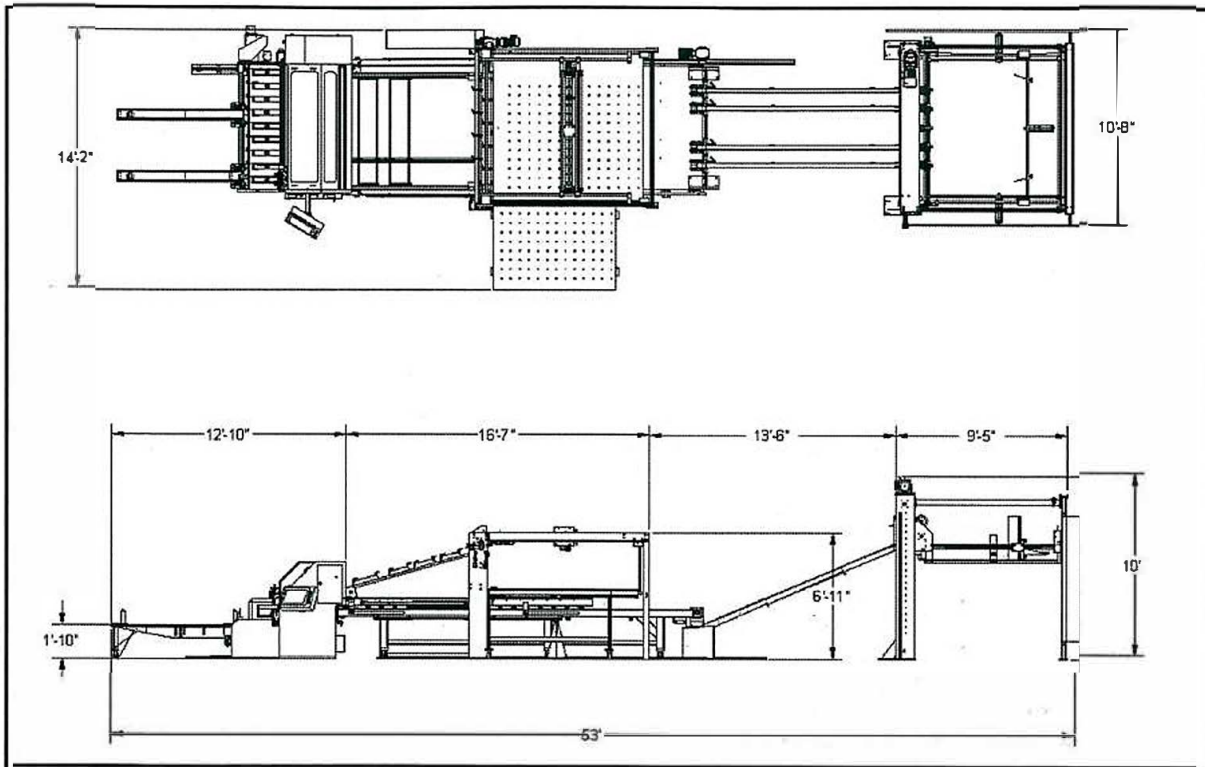
AutoMAX

- Singleface Module
- +/- .035" (0.9mm) Registration
- 6000 Sheets per Hour
- Dual Label/Dual Board
- Heated Water Cleanup
- Recipe Job Setup

By **Automatan**

AutoMAX

AutoMAX



Format Sizes	Label	Board
Minimum	8" x 6" (204 x 152mm)	20" x 16" (508 x 406mm)
* Maximum	82" x 65" (2082 x 1651mm)	120" x 80" (3048 x 2032mm)

Machine Weight	Power Requirements	Air Requirements
30,000 lbs (10,900 kg)	480 Volt 125 Amp.	80 psi Minimum Air Supply

Automatan SERVICE

Automatan is your **SINGLE SOURCE** for maximizing the operation and efficiency of your equipment with our service programs and parts sales 24 hours a day, seven days a week.



Automatan's team of trained technicians have more than 50 years combined experience and can handle everything from simple repairs in the field to complete rebuilds in our plant.

Automatan

2911 Apache Drive • Plover, WI 54467 USA

Tel: 715-341-6501 • Fax: 715-345-1004

e-mail: info@automatan.com • website: www.automatan.com